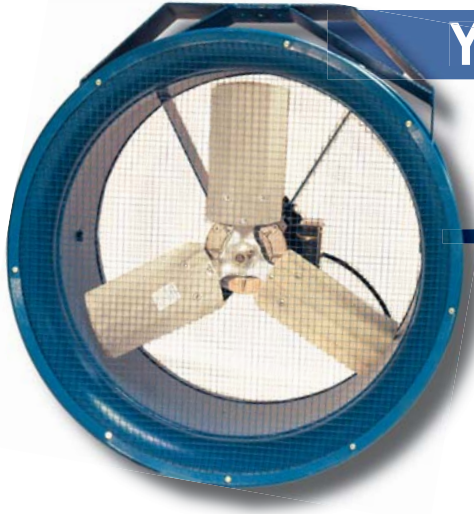


26" High Velocity Fan

GSA Schedule #GS-07F0216N

YM-Yoke Mount Standard



Mounting Options



PS-Pedestal Stroller



CW-Column Wall Mount



PB Pedestal Base

Shipping Weights: 129 lbs/59 kg

115 lbs/52kg

101 lbs/ 46 kg

SIZE	CFM	HP	FAN DIMENSIONS			DISTANCE AIR THROW	SHIPPING WEIGHT
			W	D	I.D.		
26"	7650	1	33"	18.5"	27"	150' / 46m	93lbs/42kg

Propeller: 26" Diameter, 3 Blade GalvAlum (18 Degree)

Fan Inlet/Outlet: 14 Gauge Spun Steel

Finger Guards: Spiral Wound

RPM: 1800

Decible: 85.5 dba

Enclosure: TEAO Standard

Frame: 56

Ambient Temperature: 40C

Duty Cycle: Continuous

Power Cord (115V Only): 12' Length

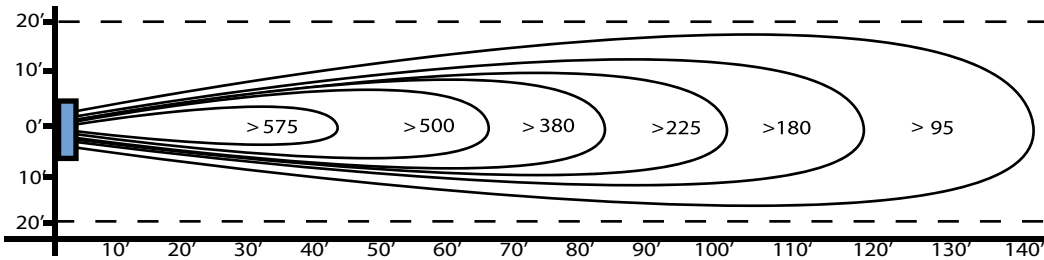
Coverage: 6100 Sq.Ft. Max

Warranty: 2 Years

Voltage	Motor Amps	Running Amps
115V/208-230V*	13.4/6.8-6.7	12.4/6.3-6.2
208-230/460V	3.5-3.6/1.8	3.2-3.3/1.66
277V	5.6	5.2

* Standard

26" High Velocity Fan Air Flow Pattern



Above velocities shown in feet per minute.



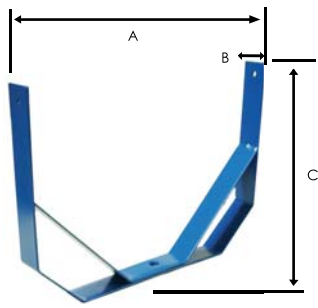
2/1/08

Note: Due to continual product improvement, items are subject to change without notice.

Patterson Fan Company, Inc
 Blythewood, SC 29016
 www.pattersonfan.com
 800.768.3985

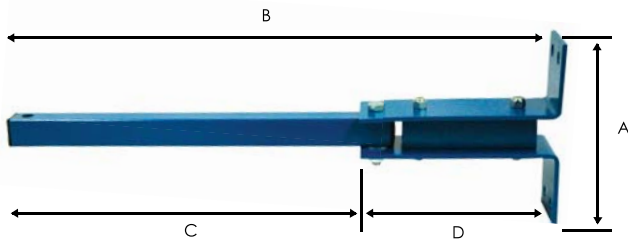


YM Yoke Mount



SIZES	MOUNT DIMENSIONS			SHIPPING WEIGHT
	A	B	C	
YM-14"	14"	2"	14"	8 lbs/4 kg
YM-18"	19.5"	2"	14.5"	12 lbs/5 kg
YM-22"	24"	2"	18"	15 lbs/7 kg
YM-26"	28"	4"	19.5"	16.5 lbs/7.4 kg
YM-30"	30.5"	4"	20.75"	18 lbs/8 kg

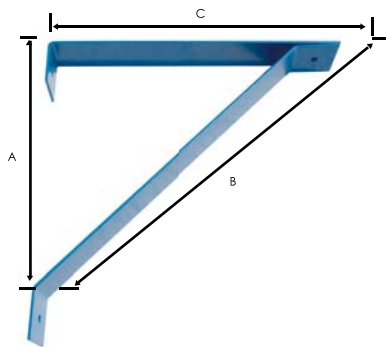
TC Truck Cooler Mount



Mounts

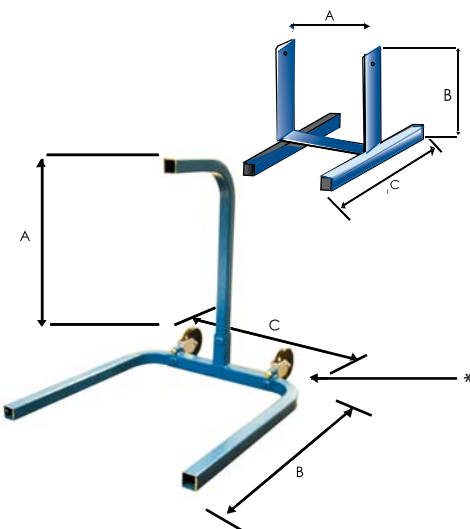
SIZES	A	MOUNT DIMENSIONS			SHIPPING WEIGHT
		B	C	D	
14" & 18"	10.5"	36"	25"	11"	18 lbs/8 kg

CW Column Wall Mount



SIZES	MOUNT DIMENSIONS			SHIPPING WEIGHT
	A	B	C	
All Sizes: 14" - 30"	27"	38"	27"	22 lbs/10 kg

PB Portable Base Mount / PS Portable Stroller Mount



SIZES	MOUNT DIMENSIONS			SHIPPING WEIGHT
	A	B	C	
PB-14"	14.5"	15.25"	15.5"	12 lbs/5 kg
PB-18"	19.5"	16"	17"	16 lbs/7 kg
PB-22"	24"	20.5"	23"	20 lbs/9 kg
PB-26"	28"	21.5"	26"	23.5 lbs/10.6 kg
PB-30"	31"	22.5"	26"	26 lbs/12 kg

SIZES	MOUNT DIMENSIONS			SHIPPING WEIGHT
	A	B	C	
All Sizes: 14" - 30"	32"	35"	32"	38lbs/17kg

* 5" Castor Wheels

Options

Contact your sales representative for available options.

Note: Due to continual product improvement, items are subject to change without notice.

Patterson Fan Company, Inc
1120 Northpoint Blvd. • Blythewood, SC 29016

www.pattersonfan.com
800.768.3985