

db

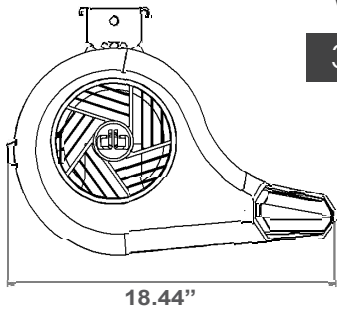
the quiet fan

With an evenly distributed column of air, the Patterson db is the first "quiet fan" to hit the industrial market. This innovative, distinctly sleek design requires minimum space, while emulating the performance of our most popular 18" fan, the industry standard in pick module applications. Conceived with the distribution and fulfillment center in mind, we've taken the need for air movement and combined it with the requirement for the ability to hear voice picking commands. **You asked... we listened... the db was crafted.**

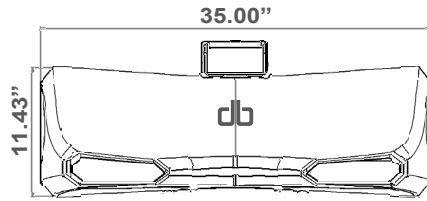


70% QUIETER **50% MORE**
CLEARANCE*

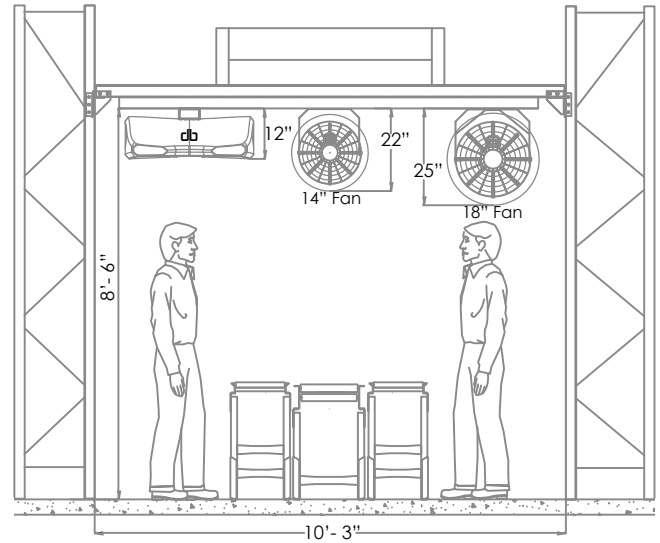
the ultimate pick module fan



FAN DIMENSIONS			SHIPPING WEIGHT
W	D	H	
35"	18.4"	11.4"	59 lbs



SIZE COMPARISON



VOLTAGE	115V	220V	277V	208-230V	460V
MOTOR AMPS	5.75	2.9	2.5	1.8	0.9
RUNNING AMPS	4.2	1.9	2.1	1	0.5

1/2 HP MOTOR

*compared to our 18" High Velocity Fan

only **65** decibels

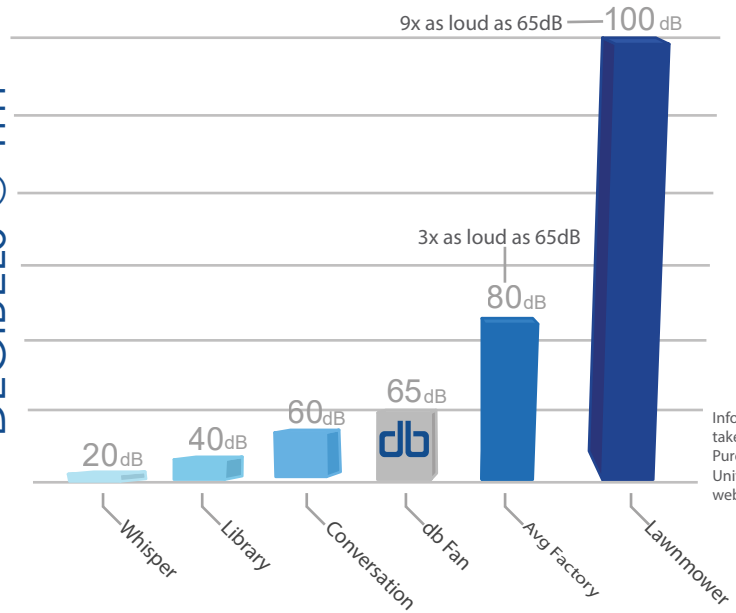
NOISE COMPARISON

PERFORMANCE

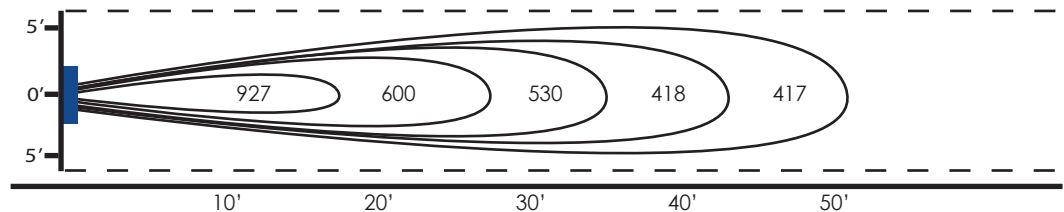
DISTANCE	18" fan	db
10'	880	927
20'	649	600
30'	491	530
40'	484	418
50'	394	417

FEET PER MINUTE

DECIBELS @ 1m



Air Flow Pattern



Above velocities shown in feet per minute.