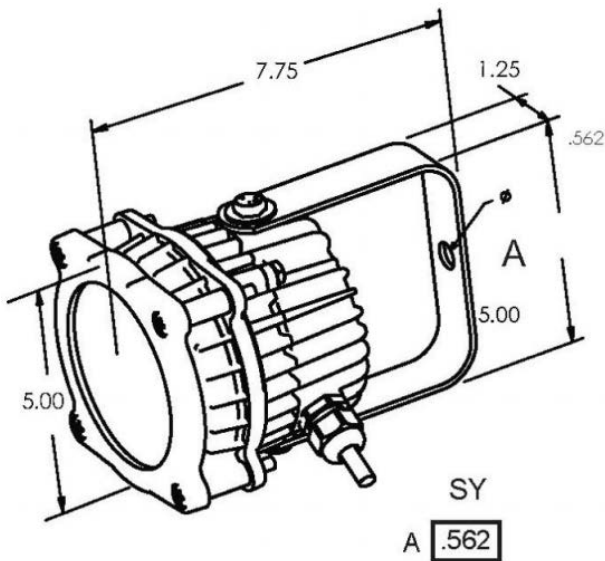


# LED 15 WATT DOCK LIGHT

50,000 Hours average rated life, 15 Watts, 100V-240V,  
660 Focused Lumens, 3 Year Warranty



<b>Housing</b>	Die cast aluminum for thermal management
<b>Swivel</b>	Friction joint to allow for 270° angle adjustment
<b>Body</b>	Safety yellow TGIC polyester powder coat paint
<b>Lens</b>	Impact resistant, optically clear acrylic lens with silicone gasket
<b>Fastener</b>	Steel, non-corrosive bright zinc plate
<b>Input Voltage</b>	100-240,277 Volts, 50/60hz
<b>Driver</b>	Constant current electronic driver
<b>Weight</b>	4.8 lbs
<b>Power</b>	15 Watts
<b>CRI</b>	> 0.95
<b>Lifetime</b>	Rated life of 50,000 hours (L70)
<b>UL/IP Rating</b>	Wet locations / IP 65, NEMA3 compliant
<b>Optical System</b>	5 Cree™ high intensity LED emitters with custom focusing options

## MOUNTING OPTIONS

Attached to a dock fan



Available as combo package with dockarm

